

STRIKE PLATE SIDELITE DOOR PLUG—SLDP-058

Installation Instructions

1. Insert the Strike Plate SideLite Plug into the door through the 1" edge bore so it's flush with the edge of the door stile. See **Figure 1**.
2. Close door into mullion. See **Figure 3**.
3. Slide the Strike Plate SideLite Plug into strike prep. The keyslot must be visible. See **Figure 3**.
4. Insert compression key into the keyslot. See **Figure 4 and 5**.

Chicks[®] Strike Plate SideLite Plug

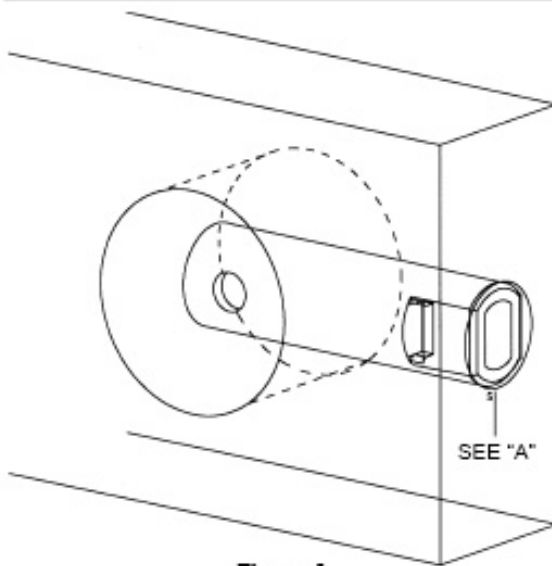
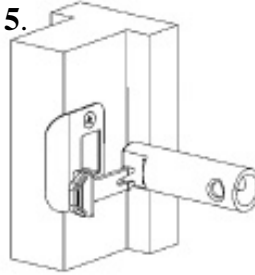


Figure 1
Typical 1-3/4" Exterior Door

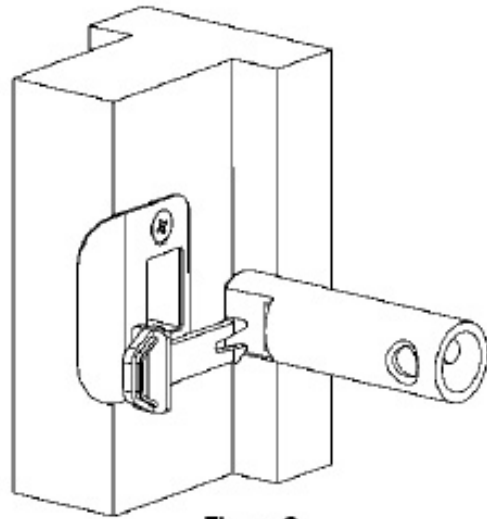


Figure 2
Typical Mullion or Astragal
With Strike Plate Applied

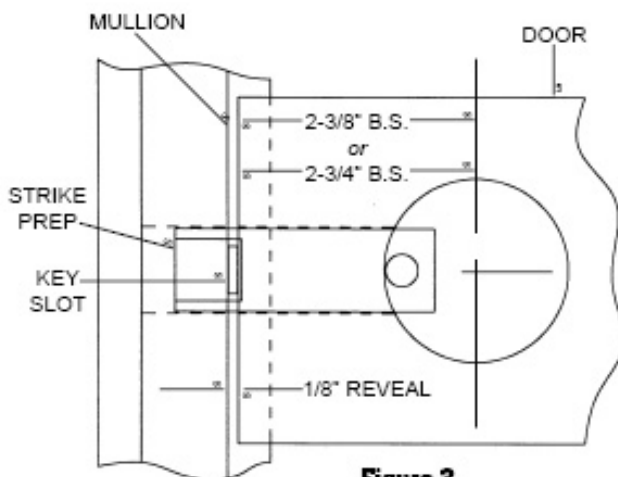


Figure 3
Front View

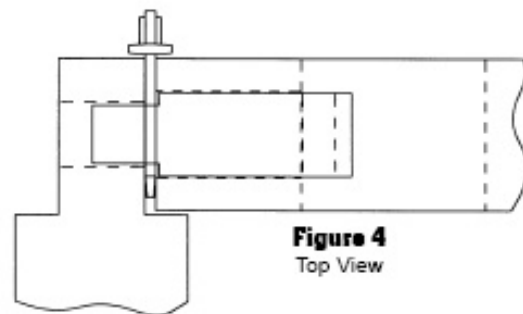


Figure 4
Top View

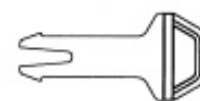


Figure 5
Compression Key