

ECONOMY DOOR PLUG—1PDP-E

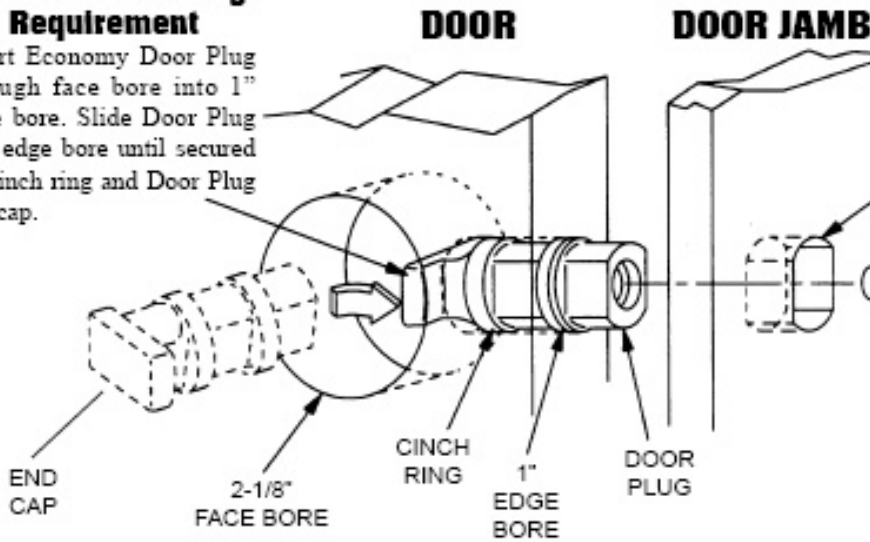
Installation Instructions

Chicks[®] Economy Door Plug



Standard Door Plug Requirement

Insert Economy Door Plug through face bore into 1" edge bore. Slide Door Plug into edge bore until secured by cinch ring and Door Plug end cap.



Bolt Requirement

3/4" x 1" rectangular route or 1" diameter bore required. Route completely through door jamb and insert bolt from backside of door jamb into Door Plug.

Bolt and washer have multi-point grip and anti-vibration features for added security as well as faster and easier installation.

